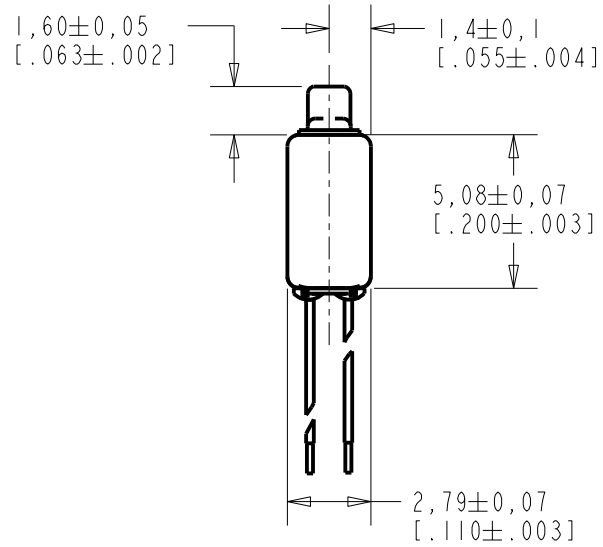


FJ-31324-P66

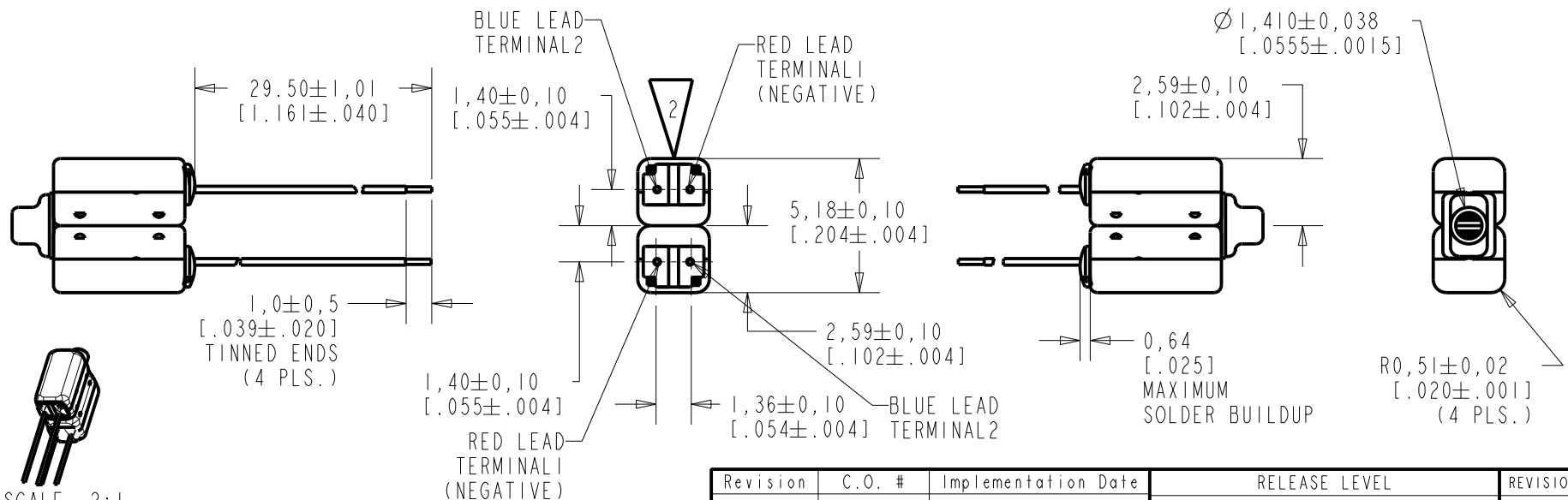
SHT 1.1



NOTE:

1. A POSITIVE GOING VOLTAGE AT TERMINAL 2, RELATIVE TO TERMINAL 1, CAUSES A DECREASE IN PRESSURE AT THE SOUND OUTLET.

2 LASER MARK ON CUP SURFACE.



SCALE 2:1
NOMINAL WEIGHT
.31 GRAM

DIMENSIONS IN MILLIMETERS [INCHES]

Revision	C.O. #	Implementation Date	RELEASE LEVEL	REVISION
A	C10111869	12-10-10	Active	A

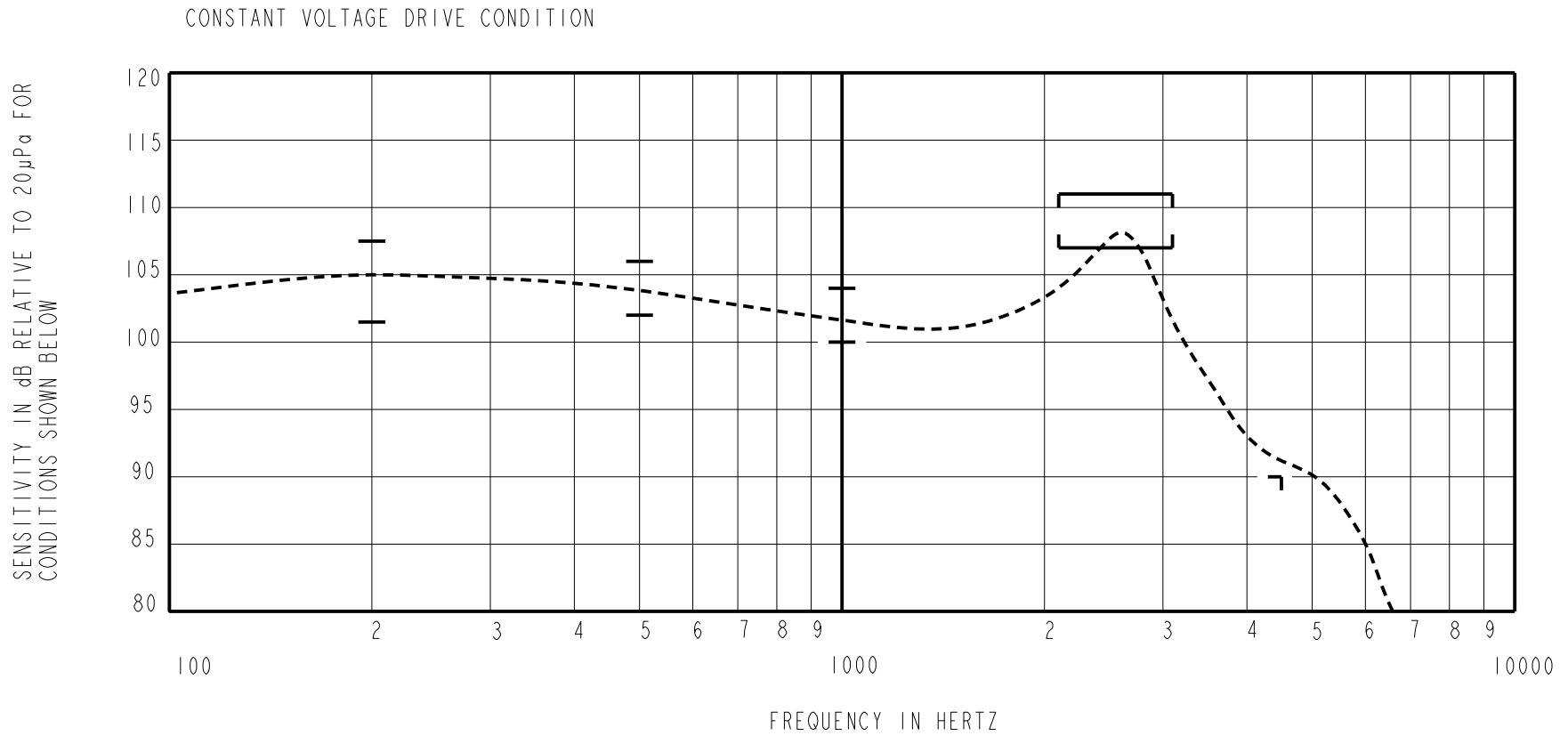
SCALE: 4:1		DR. BY: LSY	DATE: 12-10-10
DO NOT SCALE DRAWING		CK. BY: GJP	DATE: 12-16-10
TITLE: RECEIVER & CABLE		APP. BY: GJP	DATE: 12-16-10
OUTLINE DRAWING		FJ-31324-P66	
		SHT 1.1	

KNOWLES ELECTRONICS
ITASCA, ILLINOIS U.S.A.

THE FJ-31324-P66 HAS NO WIRING BETWEEN THE FH TERMINAL PADS.
THE FJ IS TESTED WITH TEMPORARY TEST CONNECTION SHOWN BELOW.

TYPE III DAMPING

FJ-31324-P66
SHEET 2.1



ACOUSTICAL

SENSITIVITY

DEVICE WILL PRODUCE THE SPL LISTED BELOW UNDER TEST CONDITIONS DESCRIBED IN TABLE 3.
NOMINAL SENSITIVITY AT 1kHz IS dB RELATIVE TO 20µPa. ALL OTHER VALUES IN dB RELATIVE TO THE SENSITIVITY AT 1kHz.

FREQUENCY (Hz)	MINIMUM	NOMINAL	MAXIMUM
200	-0.5	+2.5	+5.5
500	+0.0	+2.0	+4.0
1000	-2.0	102.0	+2.0
2100-3100	+5.0	+7.0	+9.0
4500	-12.0	---	---

TABLE 1

TOTAL HARMONIC DISTORTION

DEVICE WILL NOT EXCEED TOTAL HARMONIC DISTORTION LEVELS LISTED BELOW.

FREQUENCY (Hz)	AC DRIVE (V rms)	DC BIAS (mA)	LIMIT (%)
500	0.352	0	10
870	0.125	0	5
1300	0.125	0	5

TABLE 2

TEST CONDITIONS

NOMINAL SOURCE VOLTAGE	0.125 V rms, 0mA DC BIAS
SOURCE IMPEDANCE	<1 Ohm
TUBING	10mm [.394"] LONG, 1mm [.039"] I.D.
COUPLER CAVITY	2 CM ³ , SIMULATED ANSI S3.7 TYPE HA-3 (IEC 60318-5)

TABLE 3

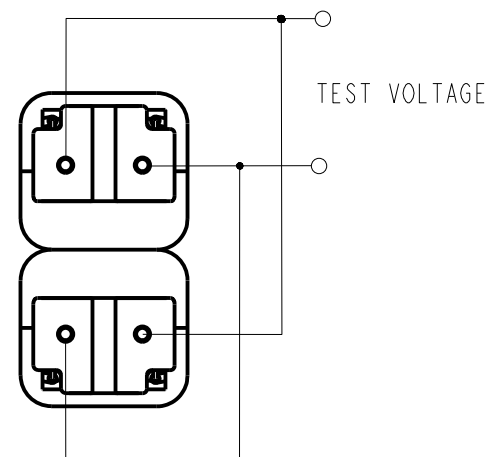
ELECTRICAL

DC RESISTANCE	29 OHMS ± 10%
IMPEDANCE @ 500 Hz	45 OHMS ± 15%
IMPEDANCE @ 1 kHz	65 OHMS ± 15%

TABLE 4

ISOLATION: CASE WILL BE ELECTRICALLY ISOLATED FROM THE COIL CIRCUIT.

PORT LOCATION: 12S



CONNECT TEMPORARY TEST CONNECTIONS AS SHOWN ABOVE FOR TEST

KNOWLES ELECTRONICS
ITASCA, ILLINOIS U.S.A.

Revision	C.O. #	Implementation Date	RELEASE LEVEL	REVISION
A	C10111869	12-10-10	Active	A

WHEN TEST LIMITS ARE USED TO ESTABLISH INCOMING INSPECTION ACCEPTANCE/REJECTION CRITERIA, CORRELATION OF TEST EQUIPMENT WITH KNOWLES IS ALSO REQUIRED FOR ELIMINATION OF EQUIPMENT AND TEST METHOD VARIATION

DR. BY	DATE
LSY	12-10-10
CK. BY	DATE
GJP	12-16-10
APP. BY	DATE
GJP	12-16-10

TITLE: **RECEIVER & CABLE** **FJ-31324-P66**
PERFORMANCE SPECIFICATION **SHT 2.1**